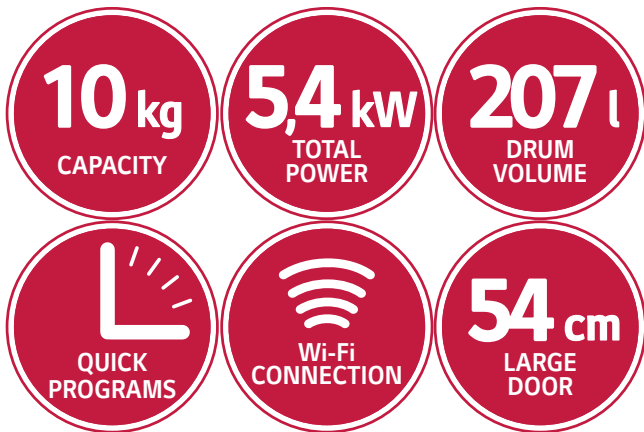


LG Giant-C PRO

PROFESSIONAL DRYER



Vented dryer

**Add-ons and accessories
- possible connection to:
PAYMENT SYSTEMS**

LARGE DRUM VOLUME

Compatible load with LG commercial washing machine 10kg

SENSE DRY

The temperature and moisture sensor automatically checks the temperature and humidity of the laundry and adjusts the drying length.

FLOW SENSING

The LED of Flow Sense flashes when the duct is blocked by lint. If the LED flashes, the manager can know the necessity to check and clean the duct.

HYGIENE CARE SYSTEM

Removes 99.9% of the germs on fabrics and clothing when running the High Temperature Cycle for drying.

FLEXIBLE INSTALLATION

LG professional tumble dryers have the option of being mounted on a washing machine or tumble dryer.

ADAPTABLE™ CONTROLS

Easy to reach controls let you save space without compromising capacity. The controls are always within reach and are versatile enough to meet user needs. (ELECTRIC ONLY)

ADAPTIVE DOOR

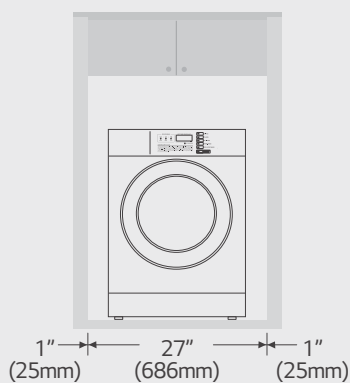
Depending on your shop's set-up or your personal preference, owner can make the best use of space by easily changing the door orientation to open to the left or right.



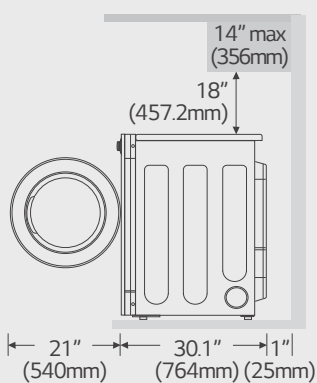
TECHNICAL FEATURES

Heating type	Electric	Gas
Capacity	10 kg	10 kg
Drum volume	207 lit.	207 lit.
Preset programs	High temp. / Med temp. / Low temp / No heat	High temp. / Med temp. / Low temp / No heat
Heating power	5,4 kW	0,4 kW
Electric Ratings	220-240V / 50Hz	220-240V / 50Hz
Type of drying	Ventilation	Ventilation
Net weight	59 kg	59 kg
Gross weight	65 kg	65 kg
Net dimensions	686 x 764 x 983 mm	686 x 764 x 983 mm
Gross dimensions	760 x 795 x 1170 mm	760 x 795 x 1170 mm

FRONT

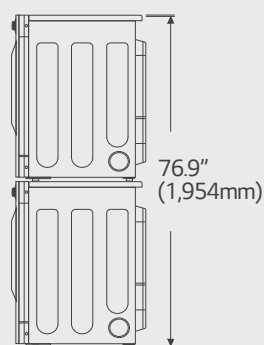


SIDE



STACKED INSTALLATION

Washer & Dryer



Dryer & Dryer

